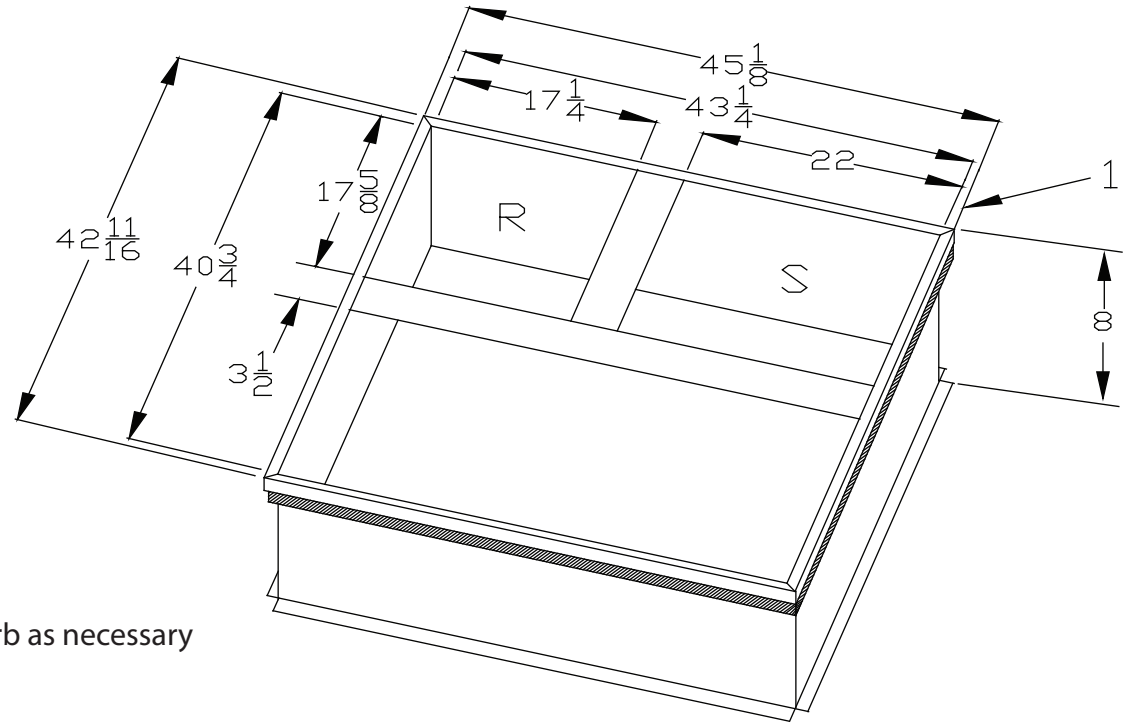


YORK AFFINITY SERIES



- Fully assembled for fast installation
- Non-adjustable
- 18 Gauge prime galvanized steel
- 1" fiberglass insulation for sound attenuation
- Fully Welded
- Curb installer to seal all corners and joints of curb as necessary
- Supplied with gasket material

RECOMMENDED PLENUM SIZES

SUPPLY - ACPIFKEA36 GZ PLENUM-26 GAUGE-KD - 3/4" FLANGE
21 1/2" x 17" 36" HI-BARE

SUPPLY - ACPIFKEA36 IZ PLENUM-26 GAUGE-KD - 3/4" FLANGE
21 1/2" x 17" 36" HI-1" LNR

RETURN- ACPIEADY36 GZ PLENUM-26 GAUGE-KD - 3/4" FLANGE
17" x 16 3/4" 36" HI-BARE

RETURN - ACPIEADY36 IZ PLENUM-26 GAUGE-KD - 3/4" FLANGE
17" x 16 3/4" 36" HI-1" LNR



MODULAR METAL FABRICATORS, INC.

YORK AFFINITY SERIES GAS ELECTRIC / HEAT PUMP
DNZ/DNQ/DNX//DNY/BHX/BHO/BHZ MODELS

SIZE	FSCM NO.	PART NO.	REV
		SDYORKCRBM11	
SCALE		SHEET	